

S4 AUGERS

**MINI EXCAVATORS 1 - 5 T, MINI LOADERS,
SKIDSTEER LOADERS UP TO 80HP AND
TRUCK CRANES UP TO 9 T / METRE**

HUB OPTIONS



65mm Round 2" / 50mm Hex 57mm Square

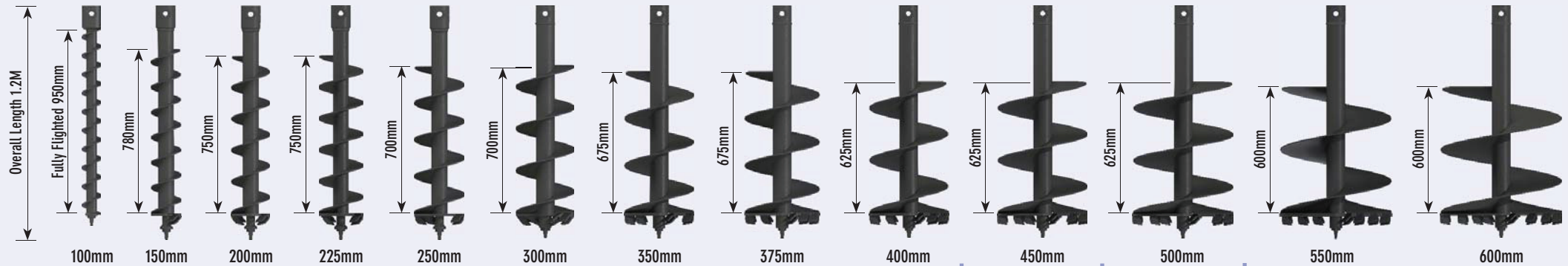
SHOCK LOCK™ Tooth Locking System

**DON'T LEAVE
YOUR TEETH
DOWN THE
HOLE!**



With our patented **Shock Lock™** Tooth Locking System tooth loss is now a thing of the past. Using the **Shock Lock™** pin and rubber insert in our unique **Shock Lock™** tooth holders ensures your Auger teeth are safely locked in place and protected against shock fractures.

Replacing worn teeth is a breeze with this system, simply knock out the old pin with a standard hole punch and the tooth will slide out of the holder with ease. Acclaimed as the best system on the market you will never need to worry about fitting spare teeth due to loss again.



Earth Drill **X1500**
Earth Drill **ML1500**

Earth Drill **X2000**
Earth Drill **ML2000**

Earth Drill **X2500**
Earth Drill **ML2500**

Earth Drill **3000MAX**
Earth Drill **3000TC**

Earth Drill **3500MAX**

Earth Drill **4500MAX**

EARTH WEAR PARTS



S2/4
Earth Pilot
33-9203-KIT

S2/4 Shock Lock™
Earth Tooth
33-9121-KIT

TUNGSTEN WEAR PARTS



S4
Flat Tungsten Pilot
33-9222-KIT

S4
Tungsten Pilot
33-9204-KIT

S4
Extra Dig Pilot
33-9212-KIT

S4 Shock Lock™
Flat Tungsten Tooth
33-9124-KIT

S4 Shock Lock™
Flat Tungsten Chisel
33-9123-KIT

S4 Shock Lock™
Tungsten Tooth
33-9122-KIT

S4 Shock Lock™
Tungsten Chisel
33-9125-KIT

EXTRAS



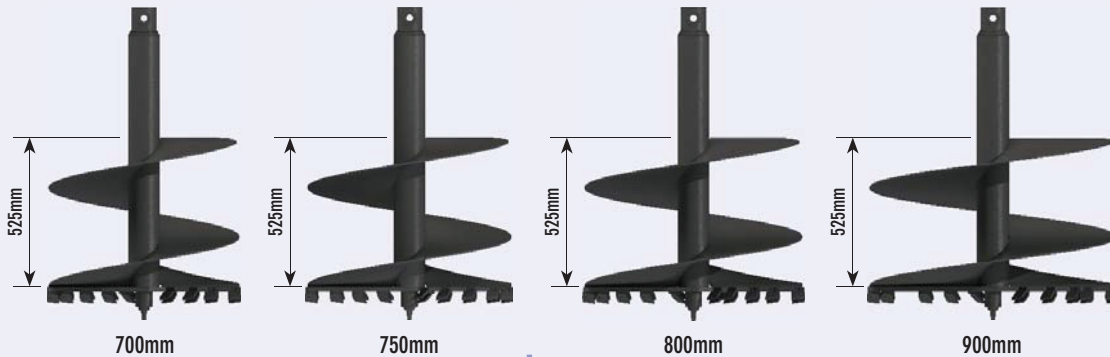
Pin & Clip
65 Round
30-0004-KIT

Pin & Clip
2" Hex
30-0003-KIT

S1/2/4 Shock Lock™
Tooth Holder
33-1010

S4 Pilot
Extension
33-4106-KIT

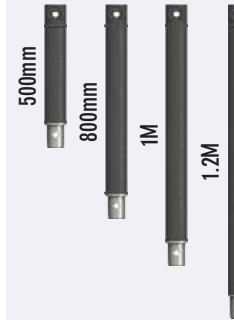
S4 Drive Lugs
33-4102
33-4105
33-4110



All the Augers above are shown with **Shock Lock™** Tooth Holders.

* Overall Length given includes the auger fitted with wear parts.

S4 EXTENSIONS



WEAR PARTS REQUIRED FOR GROUND CONDITIONS

EARTH (Shock Lock™)

Best suited to soft grounds like earth and clay.

FLAT TUNGSTEN (Shock Lock™)

Best suited to soft abrasive grounds like sand, to help reduce wear.

FLAT TUNGSTEN CHISEL (Shock Lock™)

Used in conjunction with standard full width Flat Tungsten Teeth. Improves cutting where low down pressure machines are being used, i.e. Mini Loaders, small Skid Steer Loaders & small Excavators. Must only be fitted to the inside tooth holders with standard full width Flat Tungsten Teeth being fitted on the outer most holders.

TUNGSTEN (Shock Lock™)

Best used in dry, hard or medium ground conditions where floating rocks may be encountered. The perfect all-rounder if you are not sure about what you might encounter.

TUNGSTEN CHISEL (Shock Lock™)

Used in conjunction with standard full width Tungsten Teeth. Improves cutting where low down pressure machines are being used, i.e. Mini Loaders, small Skid Steer Loaders & small Excavators. Must only be fitted to the inside tooth holders with standard full width Tungsten Teeth being fitted on the outer most holders.

EXTRA DIG PILOT

A stronger Pilot for more demanding ground conditions.